



管 夹 TUBE CLAMPS

(一)概述 INTRODUCTION

1、范围

轻型系列管夹应用于6种尺寸系列的普通机械压力管子，管子外径 ϕ 6~57mm。

双联系列管夹应用于5种尺寸系列的普通机械压力管子，管子外径 ϕ 6~42mm。

重型系列管夹应用于10种尺寸系列的高机械压力管子，管子外径 ϕ 3~406mm。

1、RANGE

Light series clamps can be supplied in 6 series for normal mechanical stress, Tube o.d. 6 to 57mm.

Twin tube clamp series can be supplied in 5 series for normal mechanical stress, Tube o.d. 6 to 42mm.

Heavy series, clamps can be supplied in 10 series for high mechanical stress. Tube o.d. 8 to 406mm.

2、材料特性 MATERIAL PROPERTIES

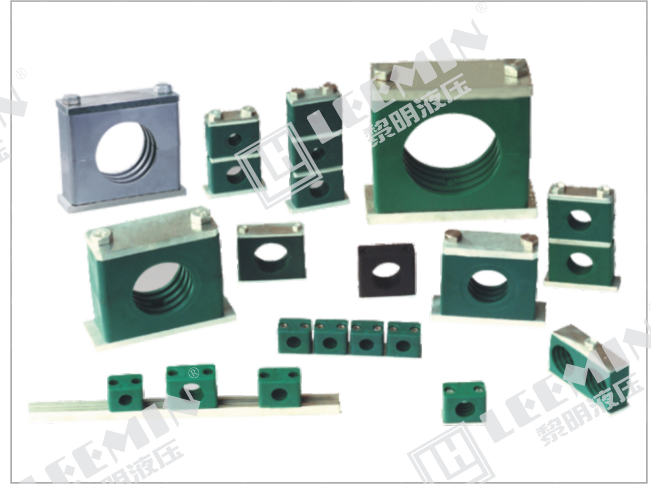
特性 Properties	聚丙烯 Polypropylene(PP)	尼龙 Polyamide 6 (PA 6)	铝 Aluminium
密度 Density	0.906 g/cm ³	1.12-1.15 g/cm ³	2.65 g/cm ³
弯曲强度 Flexural Deflection	36N/mm ²	130~200N/mm ²	70N/mm ²
冲击韧性 Impact Resistance	不断 no break	不断 no break	
压缩强度 Compressive Strength	90N/mm ²	120N/mm ²	HR500-600N/mm ²
弹性模量 Modulus of Elasticity	1500N/mm ²	3000N/mm ²	70.000N/mm ²
拉伸强度 Tensile Strength	25-35N/mm ²	80-90N/mm ²	180N/mm ²
耐温 Temp.Resistance	-30~+90℃	-40~+120℃	300℃
颜色 Colour	绿 green	黑 black	

根据要求可选用其它材料 Other materials on request

3、订货代号 ORDER CODE

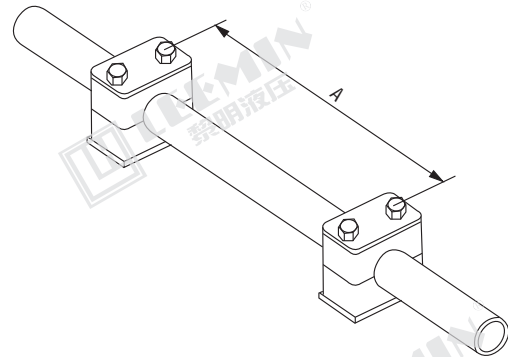
管夹 Tube clamp	T ※ ※ ※ 1—3 20	直径 Diameter
系列 Series		尺寸系列 Clamp Size
L:轻型系列 Light Series		组合 Mounting model
T:双联系列 Twin Tube Clamp series		
H:重型系列 Heavy Series		
材料 Material		内表面 Interior Surface
P:聚丙烯 Polypropylene		G:凹槽型 Grooved
N:尼龙 6 Polyamide 6		S:光滑型 Smooth
A:铝 Aluminium		

对单个零件及附件系列有对应的订货代号，它仅根据系列代号变化而变化。
The order codes for single parts and accessories have a unit system for all series, which only varies in the series code.



4、管夹安装的推荐距离

RECOMMENDED DISTANCES FOR INSTALLATION OF CLAMP



管子外径(mm) Tube o.d.	管子距离(m) Distances of clamps
6-14	0.9
15-22	1.2
23-28	1.5
30-38	2
40-48.3	2.5
50-57	3
60.3-70	3.4
73-88.9	3.7
90-108	4
114.3-133	4.3
140-165.1	5
168.3-220	5.5
219.1-323.9	6.5
356-406	7.5

当弯头或弯管处用管夹固定时，应该尽可能近地在弯管的两边。

When an elbow or bend to be supported by the clamps, the clamps should be positioned as close as possible on each side of the bend.



5、装配说明

装配在焊接板上

装配前，为更好地确定管夹的方向，建议先在固定处做好标记，后焊上焊接板，嵌上管夹体的下半部分，放上需固定的管子。再放上另一半管夹体和盖板，用螺钉擦紧。

切忌直接焊接已装好管夹的底板。

装在导轨上

导轨可焊在基础上，或用螺钉固定，随后将导轨螺母推入轨内，并转90度，将下半个管夹体嵌入螺母，入上需固定的管子，再放上上半个管夹体和盖板，用螺钉固定。

叠起装配

导轨可焊在基础上，或用螺钉固定，先装上下半个管夹体，放上需固定的管子，再放上上半个管夹体，用螺钉固定，通过防松盖板防止它转动。然后安装第二个管夹，方法同上。

ASSEMBLY INSTRUCTION

Assembly on to metal welding plates

Weld metal welding plates on to a weight adjusted base.
Clip lower half of clamp on to welding plate and insert tube;
then add second clamp-half and tighten with screws provided.
DO NOT weld with plastic clamp in position!

Assembly on rail-supports

Rail-supports can

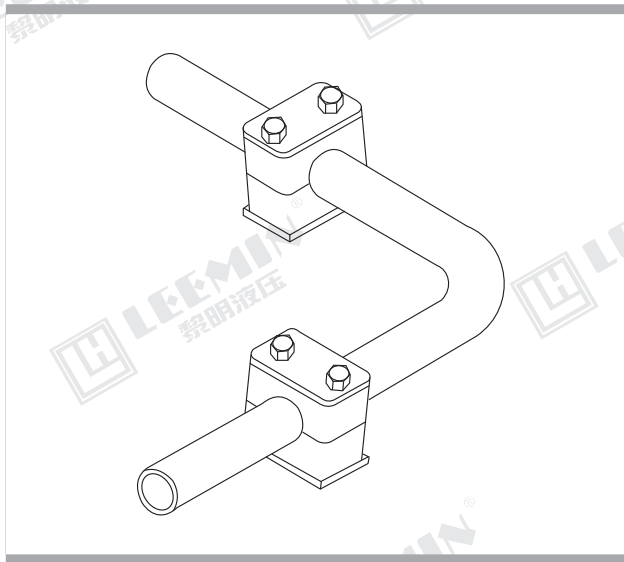
be welded or screwed on with a fastening bracket. Insert rail nuts into rail and turn as far as it will go. (Ensure that spacing is right). Wedge on lower clamp-half, insert tube, add second clamp-half and tighten with screws provided.

Construction assembly

Weld on welding plate or rail support, or screw on with a fixing bracket. Wedge on lower clamp-half, insert tube, add upper clamp-half and tighten with fixing screws. (Fixing screw to jut out.)

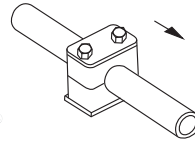
By applying a locking plate to the upper half of the clamp, the fixing screw is prevented from twisting. Then mount the second tube

弯管的装配



弯配弯管时，应直接在弯管的前部和后部用黎明管夹固定。建议这样的支承点应为固定位置。

螺栓的紧固力矩和管上的轴向夹持力



管上的轴的夹持力(根据DIN 3015 第10部分)是一个平均值，它是由3次试验值计算出来的。试验时用一根按照DIN 2448 的 St37 号钢管，温度为 23°C，管上有静摩擦。
管夹在管子的轴向上受到一个列出的测试力(F)时，管夹内的管子不会滑动。

轻型系列(按照DIN 3015 第1部分)					
尺寸系列	固定用螺栓 GB5782-86	聚丙烯		尼龙6	
		螺栓紧固力矩(Nm)	管子夹持力F(KN)	螺栓紧固力矩(Nm)	管子夹持力F(KN)
0	M6	8	0.6	10	0.6
1		8	1.1	10	0.7
2		8	1.3	10	0.8
3		8	1.4	10	1.6
4		8	1.5	10	1.7
5		8	1.9	10	2.0
6		8	2.0	10	2.5

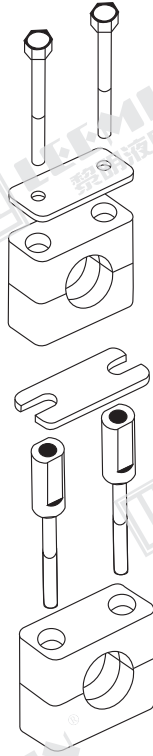
重型系列(按照DIN 3015 第2部分)							
尺寸系列	固定用螺栓 GB5782-86	聚丙烯		尼龙6		铝	
		螺栓紧固力矩(Nm)	管子夹持力F(KN)	螺栓紧固力矩(Nm)	管子夹持力F(KN)	螺栓紧固力矩(Nm)	管子夹持力F(KN)
1	M10	12	1.6	20	4.2	30	12.1
2		12	2.9	20	4.5	30	15.1
3		15	3.3	25	5.1	35	15.5
4	M12	30	8.2	40	9.3	55	29.4
5	M16	45	11.0	55	21.0	120	34.9
6	M20	80	14.0	150	25.8	220	50.0
7	M24	110	28.0	200	32.0	250	70.6
8	M30	180	40.0	350	48.0	500	84.5
9						500	181.5
10						600	244.5

双联系列(按照DIN 3015 第3部分)					
尺寸系列	固定用螺栓 GB5782-86	聚丙烯		尼龙6	
		螺栓紧固力矩(Nm)	管子夹持力F(KN)	螺栓紧固力矩(Nm)	管子夹持力F(KN)
1	M6	5	0.9	5	0.9
2	M8	12	2.1	12	2.2
3		12	1.9	12	2.0
4		12	2.7	12	2.9
5		8	1.7	8	2.5

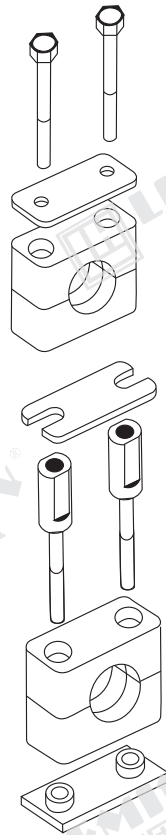


LEEMIN
黎明液压

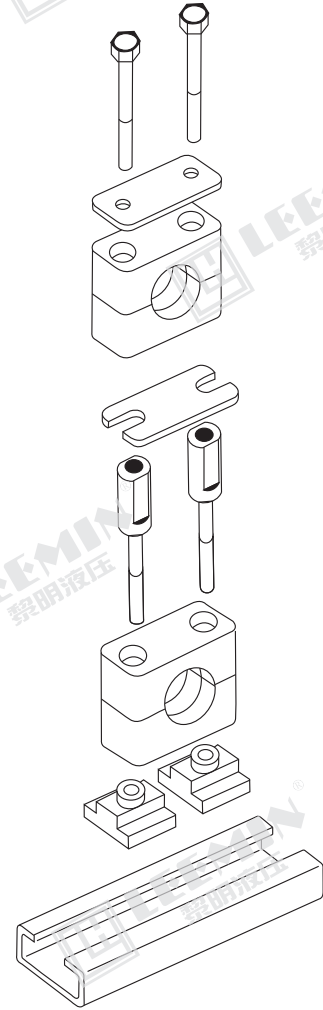
组合系列 Mounting model
重型 Heavy series



订货代号 Order code
THPG16-***
+ THPG5-***



订货代号 Order code
THPG1-***
+ THPG5-***



订货代号 Order code
THPG3-***
+ THPG5-***
+ TH-E



LEEMIN
黎明液压

(本产品符合德国标准 DIN3015 Teil2)

订货代号 Order code THPG— 重型塑料管夹内孔凹槽型 Heavy series, polypropylene inside grooved THPS— 重型塑料管夹内孔光滑 Heavy series, polypropylene inside smooth THNG— 重型尼龙管夹内孔凹槽型 Heavy series, polyamide 6, inside grooved THNS— 重型尼龙管夹内孔光滑 Heavy series, polyamide 6, inside smooth THAG— 重型铝管夹内孔凹槽型 Heavy series, Aluminium, inside grooved (根据要求, 请调换“订货代号”中的标准缩写“THPG”部分, 把其中“P”或“N”改成“A”即为铝管夹) (As required, exchange standard abbreviation “THPG” in column of “order code” Change “P” and “N” into “A”, it's Aluminium clamps)				两支管夹用双联焊接底板固定, 用外六角螺栓加双联盖板压紧管夹。 2 clamp halves, double weld plate, double cover plate, hex. head bolts.	两支管夹用双联焊接底板固定, 用外六角螺钉加双联盖板压紧管夹。 2 clamp halves, double weld plate, double cover plate, socket head screws	管夹底板用焊接或螺栓固定, 用外六角螺栓加盖板压紧管夹。 2 clamp halves, weld / screw plate, cover plate and hex. head bolts	管夹底板用焊接或螺栓固定, 用内六角螺钉加盖板压紧管夹。 2 clamp halves, weld / screw plate, cover plate and socket head screws	管夹用外六角螺栓加盖板和其它底板压紧 2 clamp halves, cover plate and hex head bolts
尺寸系列 Clamp size	外径 MM O.D.	英寸内径 Inch I.D.	英寸外径 Inch O.D.	订货代号 Order code	订货代号 Order code	订货代号 Order code	订货代号 Order code	订货代号 Order code
1	6	G1/8	5/16	THPG6-106	THPG7-106	THPG8-106	THPG9-106	THPG16-106
	8			THPG6-108	THPG7-108	THPG8-108	THPG9-108	THPG16-108
	10			THPG6-110	THPG7-110	THPG8-110	THPG9-110	THPG16-110
	12			THPG6-112	THPG7-112	THPG8-112	THPG9-112	THPG16-112
	12.7			THPG6-112.7	THPG7-112.7	THPG8-112.7	THPG9-112.7	THPG16-112.7
	13.5	G1/4	5/8	THPG6-113.5	THPG7-113.5	THPG8-113.5	THPG9-113.5	THPG16-113.5
	14			THPG6-114	THPG7-114	THPG8-114	THPG9-114	THPG16-114
	15			THPG6-115	THPG7-115	THPG8-115	THPG9-115	THPG16-115
	16	G3/8		THPG6-116	THPG7-116	THPG8-116	THPG9-116	THPG16-116
17.2	THPG6-117.2			THPG7-117.2	THPG8-117.2	THPG9-117.2	THPG16-117.2	
18	THPG6-118			THPG7-118	THPG8-118	THPG9-118	THPG16-118	
2	18	G1/2	3/4	THPG6-218	THPG7-218	THPG8-218	THPG9-218	THPG16-218
	19			THPG6-219	THPG7-219	THPG8-219	THPG9-219	THPG16-219
	20			THPG6-220	THPG7-220	THPG8-220	THPG9-220	THPG16-220
	21.3			THPG6-221.3	THPG7-221.3	THPG8-221.3	THPG9-221.3	THPG16-221.3
	22			THPG6-222	THPG7-222	THPG8-222	THPG9-222	THPG16-222
	23	G3/4	1	THPG6-223	THPG7-223	THPG8-223	THPG9-223	THPG16-223
	25			THPG6-225	THPG7-225	THPG8-225	THPG9-225	THPG16-225
	26.9			THPG6-226.9	THPG7-226.9	THPG8-226.9	THPG9-226.9	THPG16-226.9
	28	G1	1 1/4	THPG6-228	THPG7-228	THPG8-228	THPG9-228	THPG16-228
	30			THPG6-230	THPG7-230	THPG8-230	THPG9-230	THPG16-230
30	THPG6-330			THPG7-330	THPG8-330	THPG9-330	THPG16-330	
32	THPG6-332			THPG7-332	THPG8-332	THPG9-332	THPG16-332	
33.7	THPG6-333.7			THPG7-333.7	THPG8-333.7	THPG9-333.7	THPG16-333.7	
3	35	G1 1/2	2	THPG6-335	THPG7-335	THPG8-335	THPG9-335	THPG16-335
	38			THPG6-338	THPG7-338	THPG8-338	THPG9-338	THPG16-338
	40			THPG6-340	THPG7-340	THPG8-340	THPG9-340	THPG16-340
	42			THPG6-342	THPG7-342	THPG8-342	THPG9-342	THPG16-342
	42			G1 3/4	2 1/2	THPG6-438	THPG7-438	THPG8-438
	40	THPG6-440	THPG7-440			THPG8-440	THPG9-440	THPG16-440
	42	THPG6-442	THPG7-442			THPG8-442	THPG9-442	THPG16-442
	45	THPG6-445	THPG7-445			THPG8-445	THPG9-445	THPG16-445
	48.3	THPG6-448.3	THPG7-448.3			THPG8-448.3	THPG9-448.3	THPG16-448.3
	50	G2	2 1/2	THPG6-450	THPG7-450	THPG8-450	THPG9-450	THPG16-450
51	THPG6-451			THPG7-451	THPG8-451	THPG9-451	THPG16-451	
52	THPG6-452			THPG7-452	THPG8-452	THPG9-452	THPG16-452	
55	THPG6-455			THPG7-455	THPG8-455	THPG9-455	THPG16-455	
57	THPG6-457			THPG7-457	THPG8-457	THPG9-457	THPG16-457	
60.3	G2	2 1/2	THPG6-460.3	THPG7-460.3	THPG8-460.3	THPG9-460.3	THPG16-460.3	
63			THPG6-463	THPG7-463	THPG8-463	THPG9-463	THPG16-463	
65			THPG6-465	THPG7-465	THPG8-465	THPG9-465	THPG16-465	
70			THPG6-470	THPG7-470	THPG8-470	THPG9-470	THPG16-470	
70			G2 1/2	3	THPG6-570	THPG7-570	THPG8-570	THPG9-570
73	THPG6-573	THPG7-573			THPG8-573	THPG9-573	THPG16-573	
75	THPG6-575	THPG7-575			THPG8-575	THPG9-575	THPG16-575	
76.1	THPG6-576.1	THPG7-576.1			THPG8-576.1	THPG9-576.1	THPG16-576.1	
80	THPG6-580	THPG7-580			THPG8-580	THPG9-580	THPG16-580	
82.5	THPG6-582.5	THPG7-582.5			THPG8-582.5	THPG9-582.5	THPG16-582.5	
88.9	THPG6-588.9	THPG7-588.9			THPG8-588.9	THPG9-588.9	THPG16-588.9	
90	THPG6-590	THPG7-590	THPG8-590	THPG9-590	THPG16-590			
6	90	G3 1/2	4	THPG6-690	THPG7-690	THPG8-690	THPG9-690	THPG16-690
	97			THPG6-697	THPG7-697	THPG8-697	THPG9-697	THPG16-697
	100			THPG6-6100	THPG7-6100	THPG8-6100	THPG9-6100	THPG16-6100
	101.6			THPG6-6101.6	THPG7-6101.6	THPG8-6101.6	THPG9-6101.6	THPG16-6101.6
	108			THPG6-6108	THPG7-6108	THPG8-6108	THPG9-6108	THPG16-6108
	114.3			THPG6-6114.3	THPG7-6114.3	THPG8-6114.3	THPG9-6114.3	THPG16-6114.3
	127			THPG6-6127	THPG7-6127	THPG8-6127	THPG9-6127	THPG16-6127
7	127	G5	5 1/2	THPG6-7127	THPG7-7127	THPG8-7127	THPG9-7127	THPG16-7127
	133			THPG6-7133	THPG7-7133	THPG8-7133	THPG9-7133	THPG16-7133
	140			THPG6-7140	THPG7-7140	THPG8-7140	THPG9-7140	THPG16-7140
	150			THPG6-7150	THPG7-7150	THPG8-7150	THPG9-7150	THPG16-7150
	152.4			THPG6-7152.4	THPG7-7152.4	THPG8-7152.4	THPG9-7152.4	THPG16-7152.4
	159			THPG6-7159	THPG7-7159	THPG8-7159	THPG9-7159	THPG16-7159
	165.1			THPG6-7165.1	THPG7-7165.1	THPG8-7165.1	THPG9-7165.1	THPG16-7165.1
168.3	THPG6-7168.3	THPG7-7168.3	THPG8-7168.3	THPG9-7168.3	THPG16-7168.3			
8	168.3	G6	6 1/2	THPG6-8168.3	THPG7-8168.3	THPG8-8168.3	THPG9-8168.3	THPG16-8168.3
	177.8			THPG6-8177.8	THPG7-8177.8	THPG8-8177.8	THPG9-8177.8	THPG16-8177.8
	193.7			THPG6-8193.7	THPG7-8193.7	THPG8-8193.7	THPG9-8193.7	THPG16-8193.7
	203			THPG6-8203	THPG7-8203	THPG8-8203	THPG9-8203	THPG16-8203
	219.1			THPG6-8219.1	THPG7-8219.1	THPG8-8219.1	THPG9-8219.1	THPG16-8219.1
	220			THPG6-8220	THPG7-8220	THPG8-8220	THPG9-8220	THPG16-8220
	219.1			G8	8 5/8	THAG6-9219.1	THAG7-9219.1	THAG8-9219.1
224.5	THAG6-9224.5	THAG7-9224.5	THAG8-9224.5			THAG9-9224.5	THAG16-9224.5	
273	THAG6-9273	THAG7-9273	THAG8-9273			THAG9-9273	THAG16-9273	
323.9	THAG6-9323.9	THAG7-9323.9	THAG8-9323.9			THAG9-9323.9	THAG16-9323.9	
356	THAG6-10356	THAG7-10356	THAG8-10356			THAG9-10356	THAG16-10356	
10	365	G16		THAG6-10365	THAG7-10365	THAG8-10365	THAG9-10365	THAG16-10365
	406			THAG6-10406	THAG7-10406	THAG8-10406	THAG9-10406	THAG16-10406

如果要求不同的型式, 我们可按分散零件订货 If different combinations are required, they could be ordered as separate components

注: 9、10尺寸系列材料为铝件。

Note: The material used for size 9 and 10 series is aluminium.

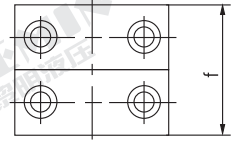
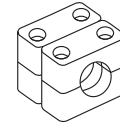
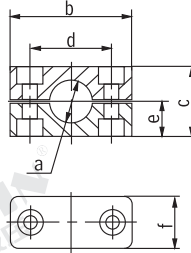
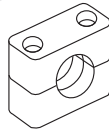


LEEMIN
黎明液压

(本产品符合德国标准 DIN3015 Teil2)

订货代号 Order code
 THPG— 重型塑料管夹内孔凹槽型
 Heavy series, polypropylene inside grooved
 THPS— 重型塑料管夹内孔光滑
 Heavy series, polypropylene inside smooth
 THNG— 重型尼龙管夹内孔凹槽型
 Heavy series, polyamide 6, inside grooved
 THNS— 重型尼龙管夹内孔光滑
 Heavy series, polyamide 6, inside smooth
 THAG— 重型铝管夹内孔凹槽型
 Heavy series, Aluminium, inside grooved

(根据要求, 请调换“订货代号”中的标准缩写“THPG”部分, 把其中“P”或“N”改成“A”即成为铝管夹)
 (As required, exchange standard abbreviation “THPG” in column of “order code” Change “P” and “N” into “A”, it's Aluminium clamps)



尺寸系列 Clamp size	外径 mm O.D.	英寸内径 Inch I.D.	英寸外径 Inch O.D.	THPG 型管夹 2 clamp halves THPG					THPGD 型双联管夹 4 clamp halves THPGD																	
				订货代号 Order code	尺寸 Size					订货代号 Order code	尺寸 Size															
					b	c	d	e	f		b	c	d	e	f											
1	6	G1/8	5/16	THPG-106	55	32	33	16	30	THPGD-106	55	32	33	16	60											
	8			THPG-108						THPGD-108																
	10			THPG-110						THPGD-110																
	12			THPG-112						THPGD-112																
	12.7			THPG-112.7						THPGD-112.7																
	13.5	THPG-113.5	THPGD-113.5																							
	14	THPG-114	THPGD-114																							
	15	THPG-115	THPGD-115																							
	16	THPG-116	THPGD-116																							
	17.2	THPG-117.2	THPGD-117.2																							
18	THPG-118	THPGD-118																								
2	18	G1/2	1	THPG-218	70	48	45	24	30	THPGD-218	70	48	45	24	60											
	19			THPG-219						THPGD-219																
	20			THPG-220						THPGD-220																
	21.3			THPG-221.3						THPGD-221.3																
	22			THPG-222						THPGD-222																
	23	THPG-223	THPGD-223																							
	25	THPG-225	THPGD-225																							
	26.9	THPG-226.9	THPGD-226.9																							
	28	THPG-228	THPGD-228																							
	30	THPG-230	THPGD-230																							
3	30	G1	1 1/4	THPG-330	85	60	60	30	30	THPGD-330	85	60	60	30	60											
	32			THPG-332						THPGD-332																
	33.7			THPG-333.7						THPGD-333.7																
	35			THPG-335						THPGD-335																
	38			THPG-338						THPGD-338																
	40	THPG-340	THPGD-340																							
	42	THPG-342	THPGD-342																							
	4	38	G1 1/4	1 1/2						THPG-438						115	90	90	45	45	THPGD-438	115	90	90	45	90
		40								THPG-440											THPGD-440					
		42								THPG-442											THPGD-442					
45		THPG-445			THPGD-445																					
48.3		THPG-448.3			THPGD-448.3																					
50		THPG-450	THPGD-450																							
51		THPG-451	THPGD-451																							
52		THPG-452	THPGD-452																							
55		THPG-455	THPGD-455																							
57		THPG-457	THPGD-457																							
60.3	THPG-460.3	THPGD-460.3																								
63	THPG-463	THPGD-463																								
65	THPG-465	THPGD-465																								
70	THPG-470	THPGD-470																								
5	70	G2 1/2	3	THPG-570	152	120	122	60	60	THPGD-570	152	120	122	60	120											
	73			THPG-573						THPGD-573																
	75			THPG-575						THPGD-575																
	76.1			THPG-576.1						THPGD-576.1																
	80			THPG-580						THPGD-580																
	82.5	THPG-582.5	THPGD-582.5																							
	88.9	THPG-588.9	THPGD-588.9																							
	90	THPG-590	THPGD-590																							
	6	90	G3 1/2	4						THPG-690						205	170	168	85	80	THPGD-690	205	170	168	85	160
		97								THPG-697											THPGD-697					
100		THPG-700			THPGD-700																					
101.6		THPG-701.6			THPGD-701.6																					
108		THPG-708			THPGD-708																					
114.3		THPG-714.3	THPGD-714.3																							
127		THPG-7127	THPGD-7127																							
7		127	G5	5	THPG-7127	250	200	205	100	90	THPGD-7127	250	200	205	100						180					
		133			THPG-7133						THPGD-7133															
		140			THPG-7140						THPGD-7140															
	150	THPG-7150			THPGD-7150																					
	152.4	THPG-7152.4			THPGD-7152.4																					
	159	THPG-7159	THPGD-7159																							
	165.1	THPG-7165.1	THPGD-7165.1																							
	168.3	THPG-7168.3	THPGD-7168.3																							
	8	168.3	G6	6 5/8	THPG-8168.3						320					270	265	135	120	THPGD-8168.3		320	270	265	135	240
		177.8			THPG-8177.8															THPGD-8177.8						
193.7		THPG-8193.7			THPGD-8193.7																					
203		THPG-8203			THPGD-8203																					
219.1		THPG-8219.1			THPGD-8219.1																					
220		THPG-8220	THPGD-8220																							
9		219.1	G8	8 5/8	THAG-9219.1	470	410	395	205	162		THAGD-9219.1	470	410	395					205	324					
		224.5			THAG-9224.5							THAGD-9224.5														
		273			THAG-9273							THAGD-9273														
		323.9			THAG-9323.9							THAGD-9323.9														
	356	THAG-10356			THAGD-10356																					
	365	THAG-10365	THAGD-10365																							
	406	THAG-10406	THAGD-10406																							



LEEMIN
黎明液压

(本产品符合德国标准 DIN3015 Teil2)

尺寸系列 Clamp size	焊接底板 Weld plate						双联焊接底板 Double weld plate						焊接或螺栓安装底板 Weld / screw plate							
	订货代号 Order code	尺寸系列 Clamp size					订货代号 Order code	尺寸 size					订货代号 Order code	尺寸 size						
		d	f	g	s	m		d	f	g	s	m		d	g	f	s	k	n	m
1	TH-A1	33	30	73	8	M10	THD-A1	33	60	73	8	M10	TH-B1	33	113	30	8	85	11	M10
2	TH-A2	45	30	85	8	M10	THD-A2	45	60	85	8	M10	TH-B2	45	125	30	8	97	11	M10
3	TH-A3	60	30	100	8	M10	THD-A3	60	60	100	8	M10	TH-B3	60	140	30	8	112	11	M10
4	TH-A4	90	45	140	10	M12	THD-A4	90	90	140	10	M12	TH-B4	90	190	45	10	160	14	M12
5	TH-A5	122	60	180	10	M16	THD-A5	122	123	180	10	M16	TH-B5	122	240	60	10	205	18	M16
6	TH-A6	168	80	225	15	M20	THD-A6	168	166	225	15	M20	TH-B6	168	310	80	15	270	22	M20
7	TH-A7	205	90	270	15	M24	THD-A7	205	187	270	15	M24	TH-B7	205	370	90	15	320	26	M24
8	TH-A8	265	120	340	25	M30	THD-A8	265	249	340	25	M30	TH-B8	265	450	120	25	390	33	M30
9	TH-A9	395	162	520	30	M30	THD-A9	395	329	520	30	M30	TH-B9	395	590	162	30	530	33	M30
10	TH-A10	534	182	680	30	M30	THD-A10	534	364	680	30	M30	TH-B10	534	750	182	30	690	33	M30



LEEMIN
黎明液压

(本产品符合德国标准 DIN3015 Teil2)

尺寸系列 Clamp size	安装导轨 Mounting rail		导轨螺母 Rail nut			盖板 Cover plate					双联盖板 Double cover plate								
	订货代号 Order code	尺寸 Size		订货代号 Order code	尺寸 Size			订货代号 Order code	尺寸 Size					订货代号 Order code	尺寸 Size				
		b	h		b	d	m		b	d	f	s	m		b	d	f	s	m
1	TH-E	40	22	TH-F1	20	17.8	M10	TH-G1	55	33	30	8	11	THD-G1	55	33	60	8	11
2								TH-G2	70	45	30	8	11	THD-G2	70	45	60	8	11
3								TH-G3	85	60	30	8	11	THD-G3	85	60	60	8	11
4								TH-F4	23	19.8	M12	TH-G4	115	90	45	10	14	THD-G4	115
5								TH-G5	152	122	60	10	18	THD-G5	152	122	123	10	18
6								TH-G6	205	168	80	15	22	THD-G6	205	168	166	15	22
7								TH-G7	250	205	90	15	26	THD-G7	250	205	187	15	26
8								TH-G8	320	265	120	25	33	THD-G8	320	265	249	25	33
9								TH-G9	470	395	162	30	33	THD-G9	470	395	329	30	33
10								TH-G10	630	534	182	30	33	THD-G10	630	534	368	30	33



LEEMIN
黎明液压

(本产品符合德国标准 DIN3015 Teil2)

尺寸系列 Clamp size	六角头螺栓 Hexagon head bolts (GB5782-86) d×l	内六角螺钉 Socket head screws (GB70-85) d×l	叠加螺栓 Stacking bolts				防松盖板 Locking palte						
			订货代号 Order code	尺寸 Size				订货代号 Order code	尺寸 Size				
				a	b	m	sw		a	b	s	d	e
1	M10 × 45	M10 × 45	TH-H1	25	51	M10	15	TH-L1	55	30	8	10	15.5
2	M10 × 60	M10 × 60	TH-H2	40	66	M10	15	TH-L2	70	30	8	22	15.5
3	M10 × 70	M10 × 70	TH-H3	52	78	M10	15	TH-L3	85	30	8	37	15.5
4	M12 × 105	M12 × 105	TH-H4	85	112	M12	17	TH-L4	115	45	10	63	17.5
5	M16 × 135	M16 × 135	TH-H5	110	146	M16	21	TH-L5	152	60	10	89	21.5
6	M20 × 195	M20 × 195	TH-H6	153	206	M20	27	TH-L6	205	80	15	125	27.5
7	M24 × 220	M24 × 220	TH-H7	185	245	M24	30	TH-L7	250	90	15	151	30.5
8	M30 × 300	M30 × 300	TH-H8	250	330	M30	36	TH-L8	320	120	25	205	36.5
9	M30 × 450	M30 × 450											
10	M30 × 560	M30 × 560											

本厂生产的以上系列管夹均符合德国标准DIN3015 Teil1、Teil2、Teil3