



## JB982-77组合密封垫圈 JB982-77 SEMIMETALLIC GASKET

### (一)简介

我公司根据JB982-77标准生产的组合密封垫圈，适用于以油为介质的管路系统中，供焊接、卡套、扩大管接头、螺塞及机械装置的压力系统密封，以防油液、燃料、水和药品等泄漏。公称压力至40MPa，工作温度为-25℃至+80℃。

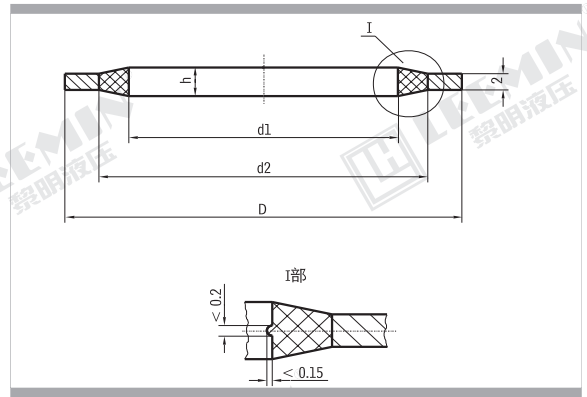
### (二)型号说明

如需公称直径为10的组合密封垫圈，则订货型号为10JB982-77，密封件与外圈体在硫化时压住

材料：密封件为耐油橡胶I-4；外圈体为A3，并经过镀锌处理。

### INTRODUCTION

According to standard JB982-77, our company has developed JB982-77 SEMIMETALLIC GASKET, which is fit in pipeline system whose medium is oil. It can be used in many pressure systems for sealing and can prevent leak of oil, fuel, water and so on. nominal pressure is 40Mpa, the operating temperature is 25℃ to +80℃. if the nominal diameter is 10, the order model is 10JB982-77.



单位Unit: mm

公称直径	d1	d2	D	h ± 0.1	孔d2 允许偏差	适用螺纹尺寸
6	6.4	8	12	0	± 0.1	M6
8	8.4	10	14			
10	10.4	12	16			
12	12.4	14	18			
14	14.4	16	20	-0.24	± 0.1	M14(G1/4)
16	16.4	18	22			
18	18.4	20	25			
20	20.5	23	28			
22	22.5	25	30	0	± 0.1	M20
24	24.5	27	32			
27	27.5	30	35			
30	30.5	33	38			
33	33.5	36	42	-0.34	± 0.15	M30
36	36.6	40	46			
39	39.6	43	50			
42	42.6	46	53			
45	45.6	49	56	0	± 0.15	M45
48	48.7	52	60			
52	52.7	56	66			
60	60.7	64	75			