

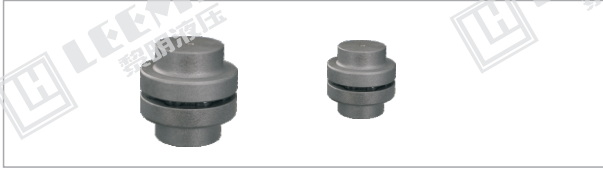


弹性联轴器

FLEXIBLE COUPLINGS

特点 FEATURES:

- 减震良好 High shock and vibration absorbing
- 运行平稳 Smooth running
- 易于对准 Easy for alignment
- 安装简单 Simplified installation
- 操作轻便 Quiet and smooth operation
- 节省空间 Space saving



结构:

弹性联轴器由优质精密铸件和组合耐油胶圈构成,内埋刚性管芯,具有良好的传递性能,经久耐用。

CONSTRUCTION

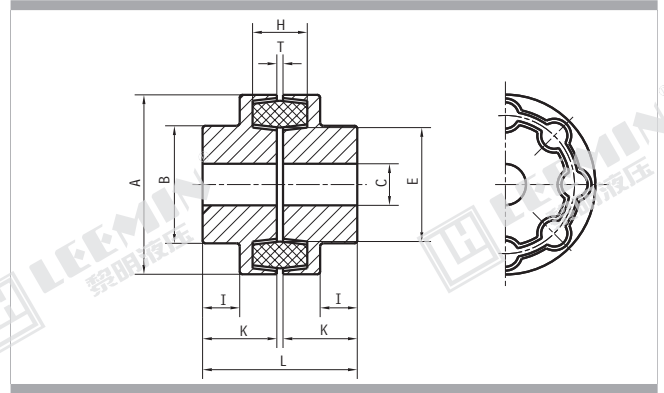
Flexible coupling is made of high quality precision casting and flexible rubber composite ring with imbedded rigid core to provide excellent durability and coupling performance.

应用:

广泛适用于各种泵类,空压机、拖拉机、金属切削机床和其它传动机械。

APPLICATIONS:

Widely suitable for pumps, air compressors, tractors, metal cutting machines and other transmission mechanisms.



技术参数及连接尺寸 TECHNICAL DATA AND SIZE

单位 Unit:mm

型号 Model	许用扭矩 Rated torque (Kg.m)	同轴度 Misalignment		最大转速 Max. speed (r.p.m)	A	B	C孔径 Bore 最大 Max.	L	K	H ± 0.5	T	I	E	重量 Weight (Kg)	惯性矩 Moment of inertia GD ² (kg.m ²)
		平衡度 Parallel	角度 Angular												
CC-65	0.7	0.3°	1°	6000	65	45	25	63	30	19	3	16	33	0.9	1.5 × 10 ⁻³
CC-80	1.6	0.3°	1°	5500	80	52	30	73	35	23	3	18	41	1.5	3.7 × 10 ⁻³
CC-90	3.7	0.3°	1°	5000	90	62	35	83	40	25	3	21	46	2.2	7.1 × 10 ⁻³
CC-115	8.0	0.4°	1°	4600	115	80	45	113	55	33	3	29	58	5.0	2.7 × 10 ⁻²
CC-130	12.0	0.4°	1°	4400	130	90	50	123	60	37	3	32	65	7.0	4.2 × 10 ⁻²
CC-145	20.0	0.4°	1°	4200	145	100	55	133	65	39	3	35	72	10	9.4 × 10 ⁻²
CC-175	43.0	0.5°	1°	3800	175	115	65	163	80	47	3	43	84	16	1.9 × 10 ⁻¹
CC-200	65.0	0.5°	1°	3600	200	130	80	223	110	53	3	69	94	27	3.1 × 10 ⁻¹