



LEEMIN
黎明液压

OW油水指示器

OW CONTROL INDICATOR OIL WATER

(一) 简介

该产品利用油与水的比重不同来指示沉淀下来的水份的含量，当水位达到一定的高度时，可通过电器来控制指示灯或报警器。此时可以打开底部的放水阀排去沉淀底部的水份，此产品适用于大型油罐、水电系统及工作湿度较大的场合。

INTRONDUCTION

OW control indicator can show the deposited water content according to the specific gravity of water and oil. When the water level reaches to the fixed height, the indicator light or alarm light can be controlled through electric machine. At this time, the water release valve can be open at the bottom to release the deposited water. this product can be used in huge oil can, water and electricity system or high humidity condition.

(二) 订货型号

OW □ · □

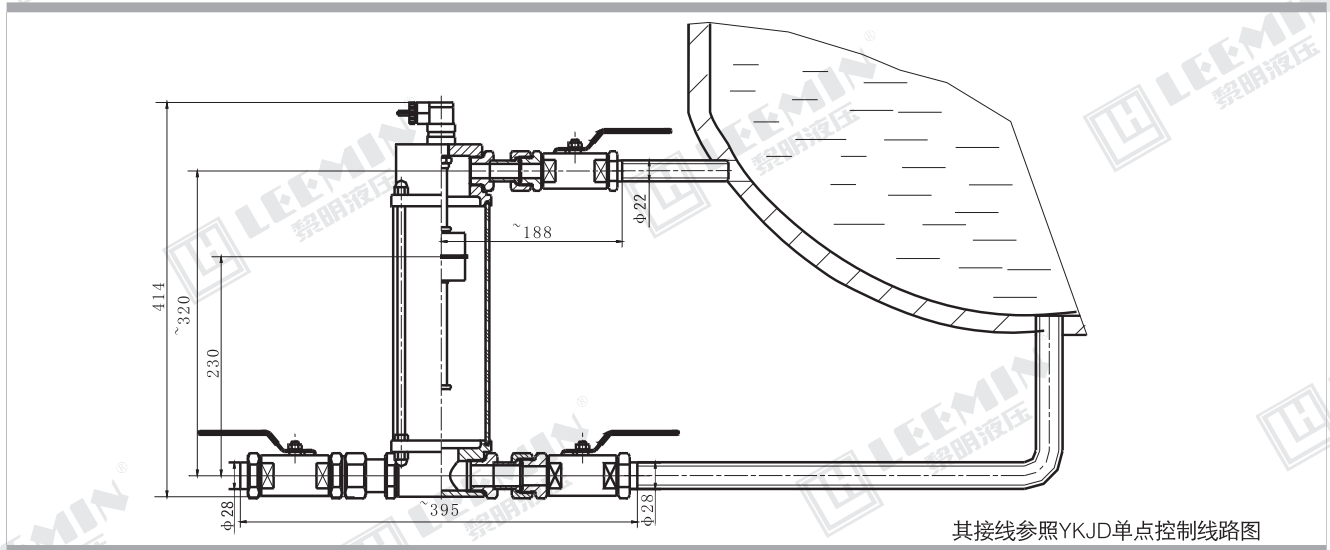
BH: 介质为一乙二醇

省略: 介质为一般液压油

24: 使用电压 ≤ DC24V

220: 使用电压 ≤ AC220V

油水指示器



其接线参照YKJD单点控制线路图