



## LF-B 系列低压倒装过滤器

### LF-B PRESSURE INVERTED FILTER SERIES

#### (一) 简介

LF-B系列过滤器用于液压系统的回油精过滤，也可用于低压管路精过滤，滤除液压系统中诸元件磨损产生的金属粉末及密封件的橡胶杂质等污染物，使流回油箱的油液保持清洁。

1. 设计为倒装式结构，进出口连接尺寸符合SAE法兰标准，过滤器固定、安装连接方便，简化管理路布置。
2. 设置滤芯污染发讯器，油路旁通阀，提高液压系统的可靠性。当滤芯被污染物堵塞、系统油温过低、流量脉动等因素造成进出油压差达到0.35MPa时，发讯器发出讯号指示，此时应及时更换滤芯或提高油温，若此时不能马上停机处理这些故障，设在滤芯上的旁通阀会自动开启（开启压力为0.4MPa）。
3. 滤芯采用玻璃纤维材质，具有过滤精度高、通油能力大、原始压力损失小、纳污量大等优点，其过滤精度以绝对过滤精度标准，过滤比 $\beta_3$ 、5、10、20、30 $\geq 200$ ，过滤效率 $n \geq 99.5\%$ 符合ISO标准。

#### INTRODUCTION

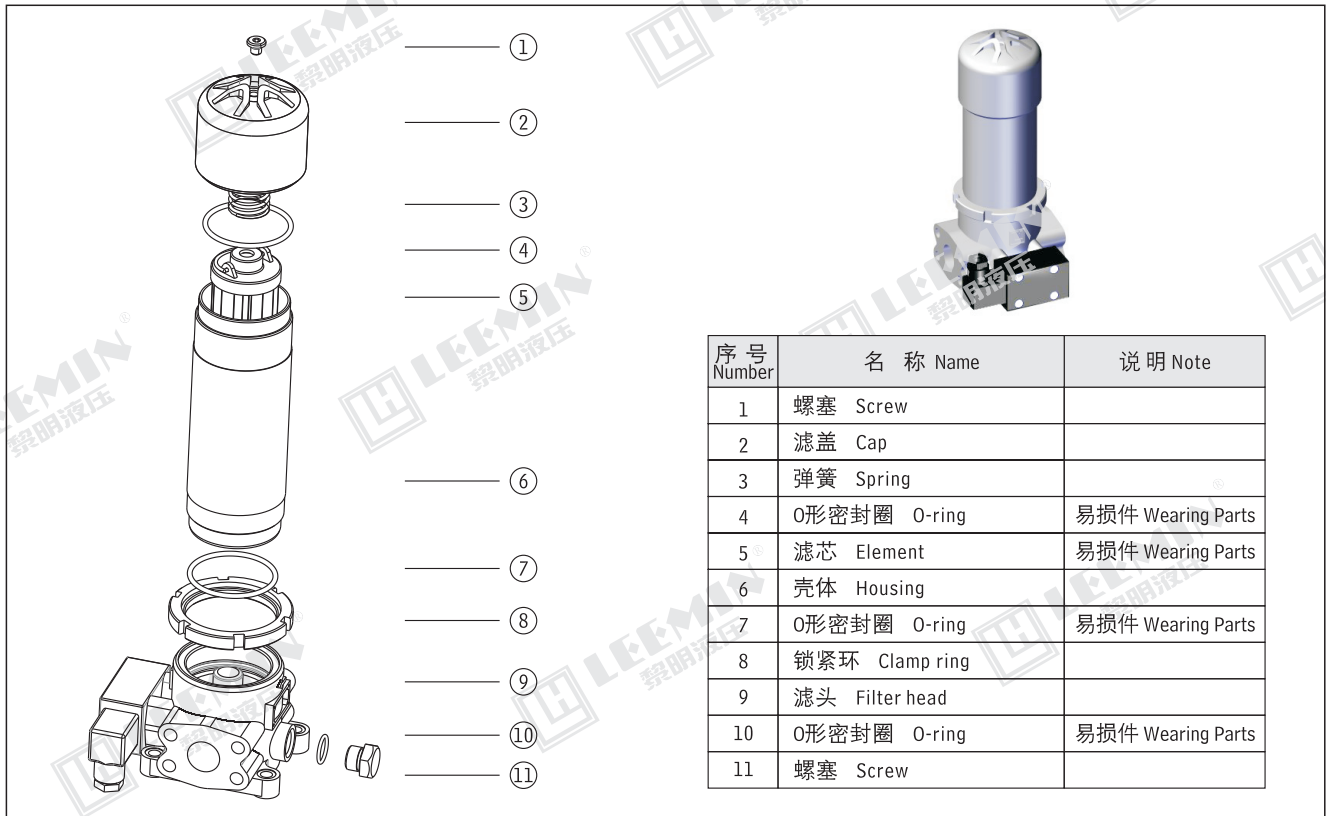
LF-B series filter is used for hydraulic system of oil return filter, it can also be used for low pressure line filter. It can remove all the pollutants in the hydraulic system like metal powder and seal rubber impurities, which keeps the oil tank clean.

Filter with inverted design, inlet and outlet of the oil mounting size match the SAE flange standards.

It is easy installation and connection, which simplify the piping layout.

Setting up the indicator, oil bypass valve to improve the reliability of hydraulic system. When the filter element is clogged, the oil temperature goes low, the flow pulsation in and out of the oil differential pressure reach to 0.35MPa, the indicator gives the signal to change the filter element in time or improve the oil temperature. If not immediately stop the system to deal with the problem, the bypass will automatically open (open pressure setting at 0.4MPa)

Filter element material is glass fiber, with high filtration accuracy, large dirt capacity and lower initial pressure drop. The filter accuracy is absolute filtration precision calibration. Filtration ratio  $\beta_3$ , 5, 10, 20, 30,  $30 \geq 200$ , filtration efficiency  $n \geq 99.5\%$  in accordance with ISO standards.



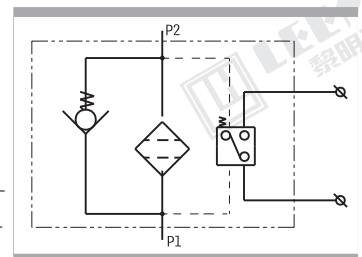
#### (二) 型号说明 MODEL CODE

LF-□-B-□×□F-□

低压倒装过滤器  
Pressure inverted filter

BH: 介质为水-乙二醇 Water-glycol  
省略: 介质为一般液压油 Omit if use hydraulic oil

P: 带CMS型发讯器 With CMS indicator  
省略: 不带发讯器 Omit if without indicator  
过滤精度 Filtration accuracy ( $\mu m$ )  
公称流量 Flow rate (L/min)





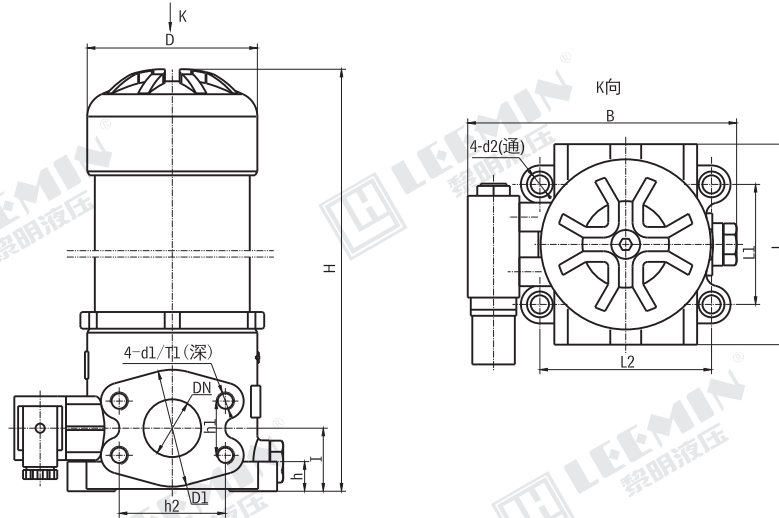
### (三) 技术参数 TECHNICAL DATA

型号 Model	通径 Dia. (mm)	公称流量 Flow rate (L/min)	过滤精度 Filtr. ( $\mu\text{m}$ )	公称压力 Press. (MPa)	压力损失 Pressure loss(MPa)		发讯装置 功率 Indicator power	重量 Weight (Kg)	滤芯型号 Model of element
					Initial	Max			
LF-B60 $\times$ *P	25	60	3	2.5	$\leq 0.07$	0.35	24V/48W 220V/50W		LH0060R*BN3HC
LF-B110 $\times$ *P		110							LH0110R*BN3HC
LF-B160 $\times$ *P	38	160	5						LH0160R*BN3HC
LF-B240 $\times$ *P		240	10						LH0240R*BN3HC
LF-B330 $\times$ *P	50	330	20						LH0330R*BN3HC
LF-B500 $\times$ *P		500	30						LH0500R*BN3HC

注：\*为过滤精度。公称流量60L/min，过滤精度 $10\mu\text{m}$ ，则过滤器型号为LF-B60  $\times$  10P，滤芯型号为LH0060R010BN3HC

Note:\*is represents filtration, flow rate 60L/min, filtration accuracy  $10\mu\text{m}$  The model of the filter is LF-B60  $\times$  10 P, the model of element is LH0060R010BN3HC.

### (四) 安装外形尺寸 MOUNTING SIZE



型号 Model	尺寸 Size (mm)														
	DN	D	H	B	L	D1	I	h	h1	h2	d1	t1	d2	L1	L2
LF-B60 $\times$ *P	25	82	206	147	110	53	31	15.5	26.2	52.4	M10	16	9	72	87
LF-B110 $\times$ *P			273												
LF-B160 $\times$ *P	38	112	255	177	132	77	41.5	19.5	35.7	70	M12	20	11.5	79	113
LF-B240 $\times$ *P			314.5												
LF-B330 $\times$ *P	50	134	320	198	168	89	67.5	23.5	42.9	77.8	M12	20	13.5	105	130
LF-B500 $\times$ *P			400												

### (五) 滤芯压差流量曲线 ELEMENT PRESSURE DROP ( $\Delta P$ ) AGAINST FLOW CURVES

