



LEEMIN
黎明液压

磁性回油过滤器系列

MAGNETIC RETURN FILTER SERIES

简介

磁性回油过滤器是我公司参考国外先进技术资料及广大用户的具体要求而特殊设计的新产品，这些过滤器仅一小部分的滤头连接部分露在油箱外，其余大部分都在油箱内部，从而简化了系统管路，安装方便，系统排列紧凑美观。在结构上我们改进了原来管路回油过滤器的庞大结构，考虑到液压系统内产生量多的还是铁磁性污染物，所以在回油精过滤前，先经强磁铁进行磁性过滤，然后再经二级精密过滤。

这种过滤器设有滤芯污染堵塞发讯器和油路旁通阀，当回油压力达到0.35MPa时，发讯器发出开关信号或报警，还可直接从发讯器的表盘上读出回油压力值，以提示操作人员及时更换滤芯，保

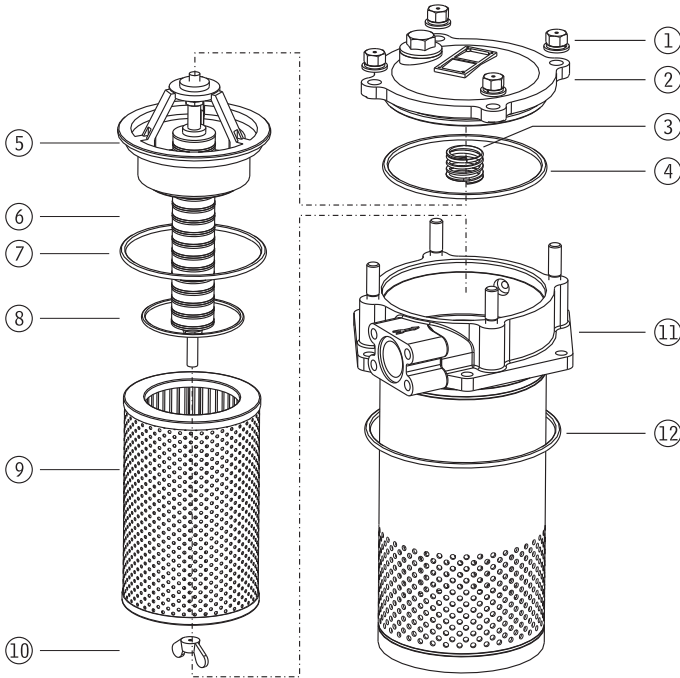
证系统油液的清洁度。更换滤芯只需旋开过滤器端盖即可。当回油压力上升至 0.4MPa 时，过滤器内的旁通阀便自动卸荷，以避免回油压力过高造成整个系统工作性能不良。

INTRODUCTION

The WY & GP Series return filters are installed on the top of the tank. There are magnets in the filter. So magnetic contaminants can be removed from oil. The elements are made of fine fibre media with high efficiency, lower pressure drop and long life. Differential Pressure indicator will signal when the pressure drop across the element reaches 0.35MPa and by-pass valve will automatically open at 0.4MPa. Element is easy to be replaced from filter.

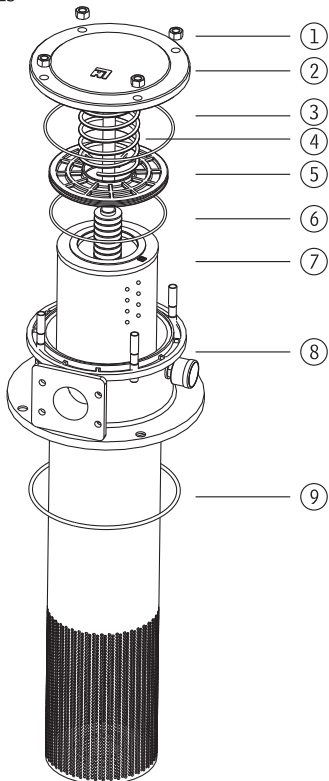


GP系列 SERIES



| 序号 Number | 名称 Name | 说明 Note |
|--------------|------------------------|-------------------|
| 1 | 螺母 Nut | |
| 2 | 滤盖 Cap | |
| 3 | 弹簧 Spring | |
| 4 | O形密封圈 O-ring | 易损件 Wearing Parts |
| 5 | 滤芯座 Element seat | |
| 6 | 磁性部件 Magnet Components | |
| 7 | O形密封圈 O-ring | 易损件 Wearing Parts |
| 8 | O形密封圈 O-ring | 易损件 Wearing Parts |
| 9 | 滤芯 Element | 易损件 Wearing Parts |
| 10 | 螺母 Nut | |
| 11 | 壳体 Housing | |
| 12 | O形密封圈 O-ring | 易损件 Wearing Parts |

WY系列 SERIES



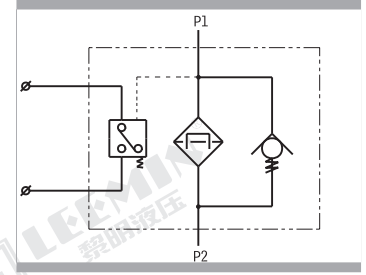
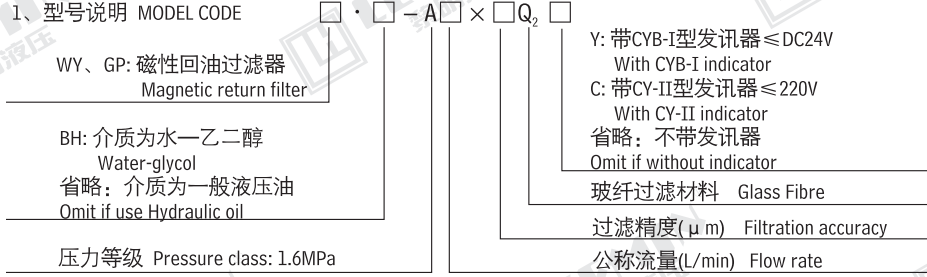
| 序号 Number | 名称 Name | 说明 Note |
|--------------|---------------------|-------------------|
| 1 | 螺母 Nut | |
| 2 | 滤盖组件 Cap Components | |
| 3 | O形密封圈 O-ring | 易损件 Wearing Parts |
| 4 | 弹簧 Spring | |
| 5 | 压盖 Gland | |
| 6 | O形密封圈 O-ring | 易损件 Wearing Parts |
| 7 | 滤芯 Element | 易损件 Wearing Parts |
| 8 | 壳体 Housing | |
| 9 | O形密封圈 O-ring | 易损件 Wearing Parts |



LEEMIN
黎明液压

(一) WY及GP系列磁性回油过滤器 WY & GP MAGNETIC RETURN LINE FILTER SERIES

1、型号说明 MODEL CODE



2、技术参数 TECHNICAL DATA

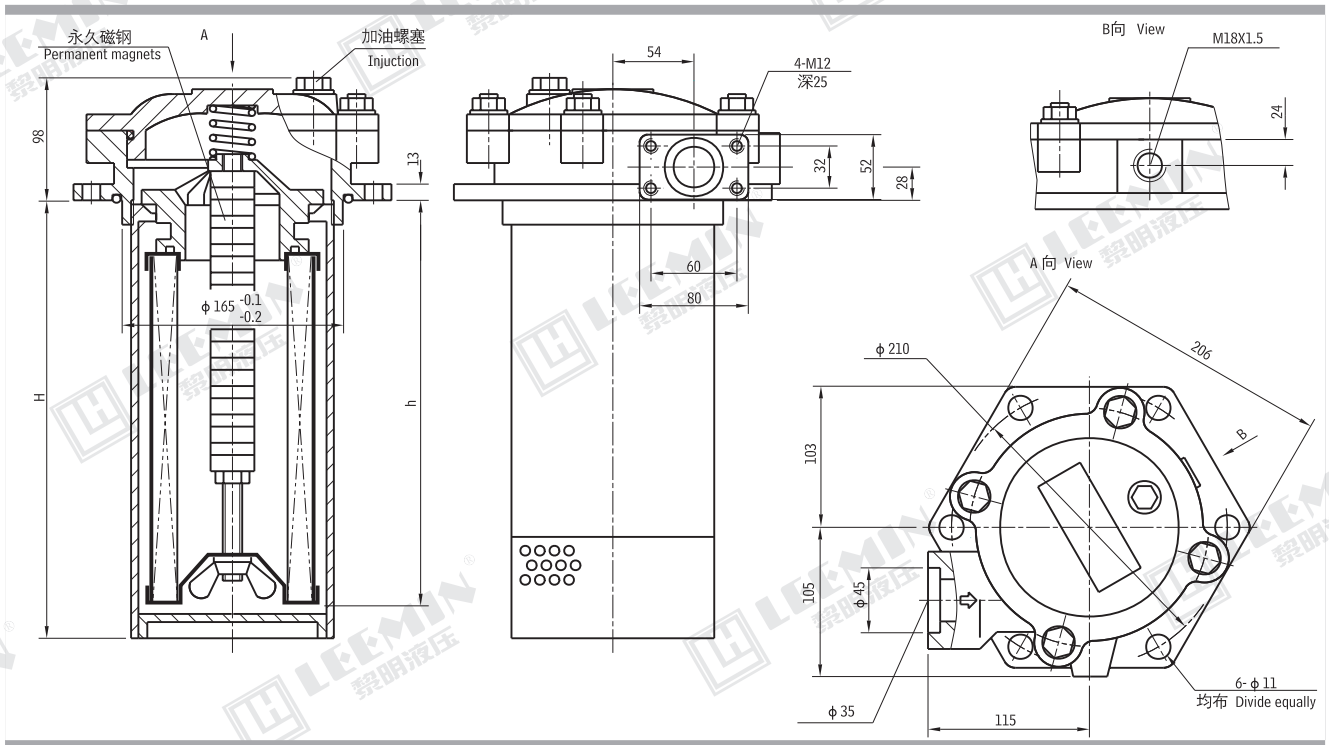
| 型号 Model | 公称流量 Flow rate (L/min) | 公称压力 Press. (MPa) | 过滤精度 Filtr. (μm) | 旁通阀开启压力 By-pass setting (MPa) | 永久磁钢表 面积(cm ²) Magnet area | 尺寸 Size (mm) | | | | | | | | | | | 重量 Weight (Kg) | 滤芯型号 Model of element | | | | |
|---|------------------------------|-------------------------|------------------------|-------------------------------------|--|--------------|-----|---|-----|-----|----|-----|------|------|----|-----|----------------------|--------------------------|-------------------------|--|------|-------------------------|
| | | | | | | H | h | a | b | c | d | e | f | g | k | r | | | | | | |
| GP-A300 ×* Q ₂ ^C _Y | 300 | 1.6 | 3 | 0.4 | 170 | 300 | 278 | | | | | | | | | | | 9 | GP300 ×* Q ₂ | | | |
| GP-A400 ×* Q ₂ ^C _Y | 400 | | | | | | | | | | | | | | | | | | | | 9.7 | GP400 ×* Q ₂ |
| GP-A500 ×* Q ₂ ^C _Y | 500 | | | | | | | | | | | | | | | | | | | | 11.5 | GP500 ×* Q ₂ |
| GP-A600 ×* Q ₂ ^C _Y | 600 | | | | | 5 | | | | | | | | | | | | | | | 11.8 | GP600 ×* Q ₂ |
| WY-A300 ×* Q _{2Y} ^C | 300 | | | | | 10 | | | | | | | | | | | | | | | 12 | WY300 ×* Q ₂ |
| WY-A400 ×* Q _{2Y} ^C | 400 | | | | | 20 | | | | | | | | | | | | | | | 13 | WY400 ×* Q ₂ |
| WY-A500 ×* Q _{2Y} ^C | 500 | | | | | 30 | | | 500 | 160 | 55 | 125 | 88.9 | 50.8 | 75 | 265 | 290 | 140 | 60 | | 13.8 | WY500 ×* Q ₂ |
| WY-A600 ×* Q _{2Y} ^C | 600 | | | | | | | | 550 | | | | | | | | | | | | 15.7 | WY600 ×* Q ₂ |
| WY-A700 ×* Q _{2Y} ^C | 700 | | | | | | | | 610 | | | | | | | | | | | | 16.5 | WY700 ×* Q ₂ |
| WY-A800 ×* Q _{2Y} ^C | 800 | | | | | | | | 716 | 136 | 50 | 116 | 90 | 50 | 50 | 283 | 310 | 183 | 50 | | 16.5 | WY800 ×* Q ₂ |

注: * 为过滤精度, 若使用介质为水—乙二醇, 公称流量400L/min, 过滤精度10 μm, 带CYB-I型发讯器, 则过滤器型号为GP · BH - A400 × 10Q₂Y; WY · BH - A400 × 10Q₂Y; 滤芯型号为: GP · BH400 × 10Q₂; WY · BH - A400 × 10Q₂;

Note: * is filtration accuracy, If the medium is water-glycol, flow rate is 400L/min, filtration accuracy is 10 μm, with CYB-I indicator, the model of this filter is GP · BH - A400 × 10Q₂Y; WY · BH - A400 × 10Q₂Y; the model of element is GP · BH400 × 10Q₂; WY · BH - A400 × 10Q₂;

3. 连接尺寸 MOUNTING SIZE

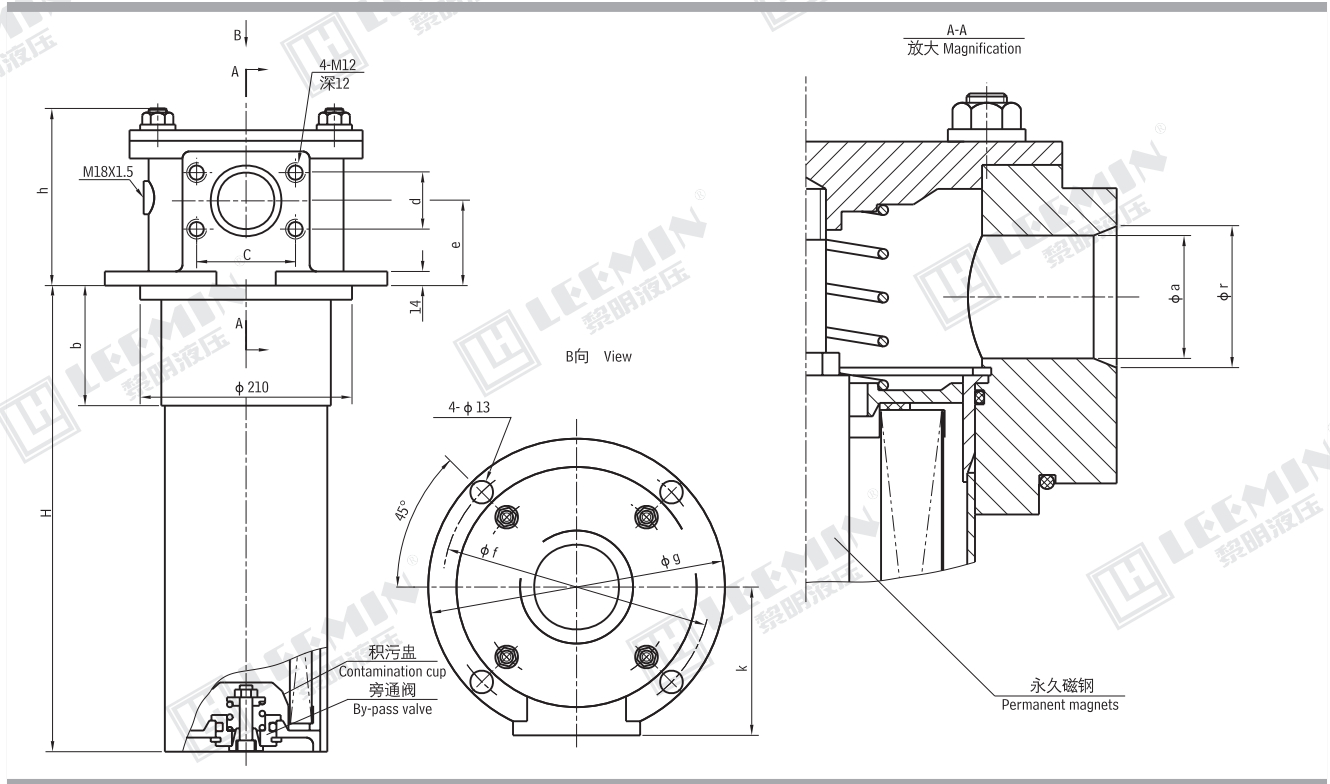
GP系列 SERIES





LEEMIN
黎明液压

WY系列 SERIES



(二) LXZ自封式磁性回油过滤器 LXZ WITH CHECK VALVE MAGNETIC RETURN FILTER

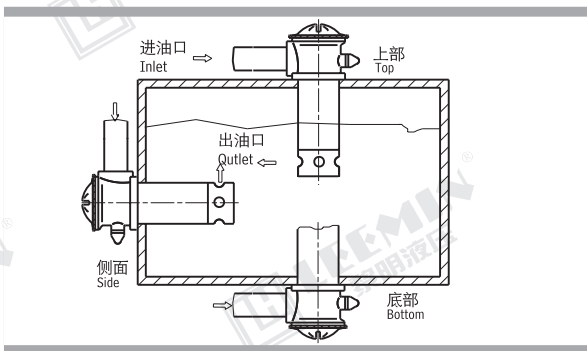
1、性能用途:

本过滤器除具有磁性回油过滤器性能与特点外，还可直接安装在油箱上部，侧边或底部，因该过滤器设有自封阀，当更换、清洗滤芯或维修系统时，只要旋开过滤器端盖，自封阀就会自动关闭来隔绝油路，使油箱内油液不向外流，使清洗、更换滤芯或维修系统变得非常方便。

2、技术参数: TECHNICAL DATA

- a. 额定工作压力: Pressure class: 1.6(MPa)
- b. 原始压力损失: Initial ΔP : 0.02(MPa)
- c. 额定工作流量: Flow rate: 160; 400(L/min)
- d. 过滤精度: Filtration accuracy: 10; 20(μm)
- e. 磁场强度: Magnetic field strength: $\geq 0.4(T)$
- f. 旁通阀开启压力: By-pass valve setting: 0.4(MPa)
- g. 发讯器发讯压力: Indicator: 0.35(MPa)
- h. 发讯器功率: Indicator power: 50W; DC24(V)或AC220(V)

3、安装方法简图及型号说明: MOUNTING AND MODEL CODE



INTRODUCTION

LXZ series return filter can be fitted on the top, at the side, or in the bottom of the tank. There are magnets in the filter, which can remove the magnetic contaminants from the oil. There is a check valve inside the filter. During replacing element the check valve will close automatically to prevent oil flowing out from the pipe or tank. The differential pressure indicator will signal when the pressure drop across the element reaches 0.35MPa and the by-pass valve will automatically open at 0.4MPa.

LXZ · □ - □ × □ □ - □

联接螺纹: G1 1/2 (仅用于 LXZ-160)
省略: R1 (仅用于 LXZ-160)

Y: 带 CYB-I 型发讯器 $\leq DC24V$
With CYB-I indicator
C: 带 CY-II 型发讯器 $\leq 220V$
With CY-II indicator

过滤精度 Filtration accuracy (μm)

公称流量 Flow rate (L/min)

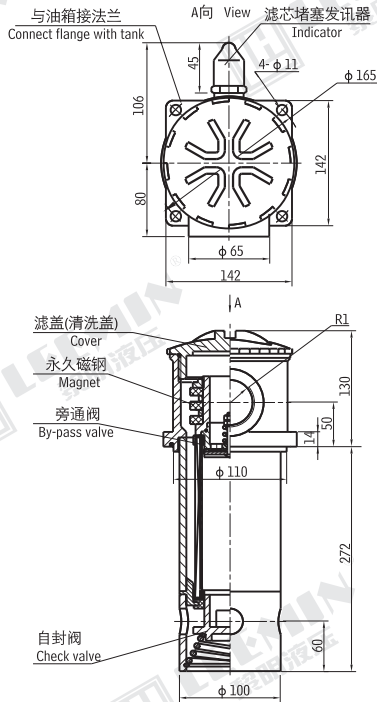
BH: 介质为水-乙二醇
Water-glycol
省略: 介质为一般液压油
Omit if use Hydraulic oil

自封式磁性回油过滤器
Check valve magnetic return filter

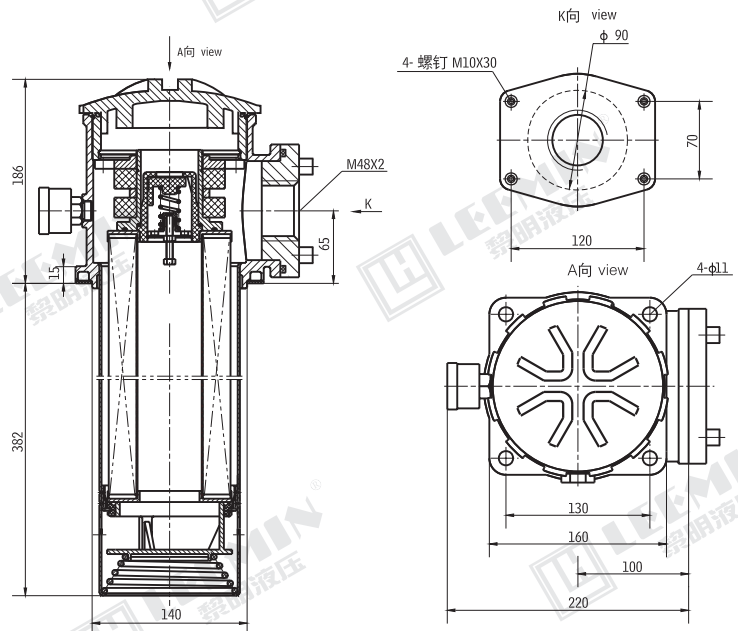


LEEMIN
黎明液压

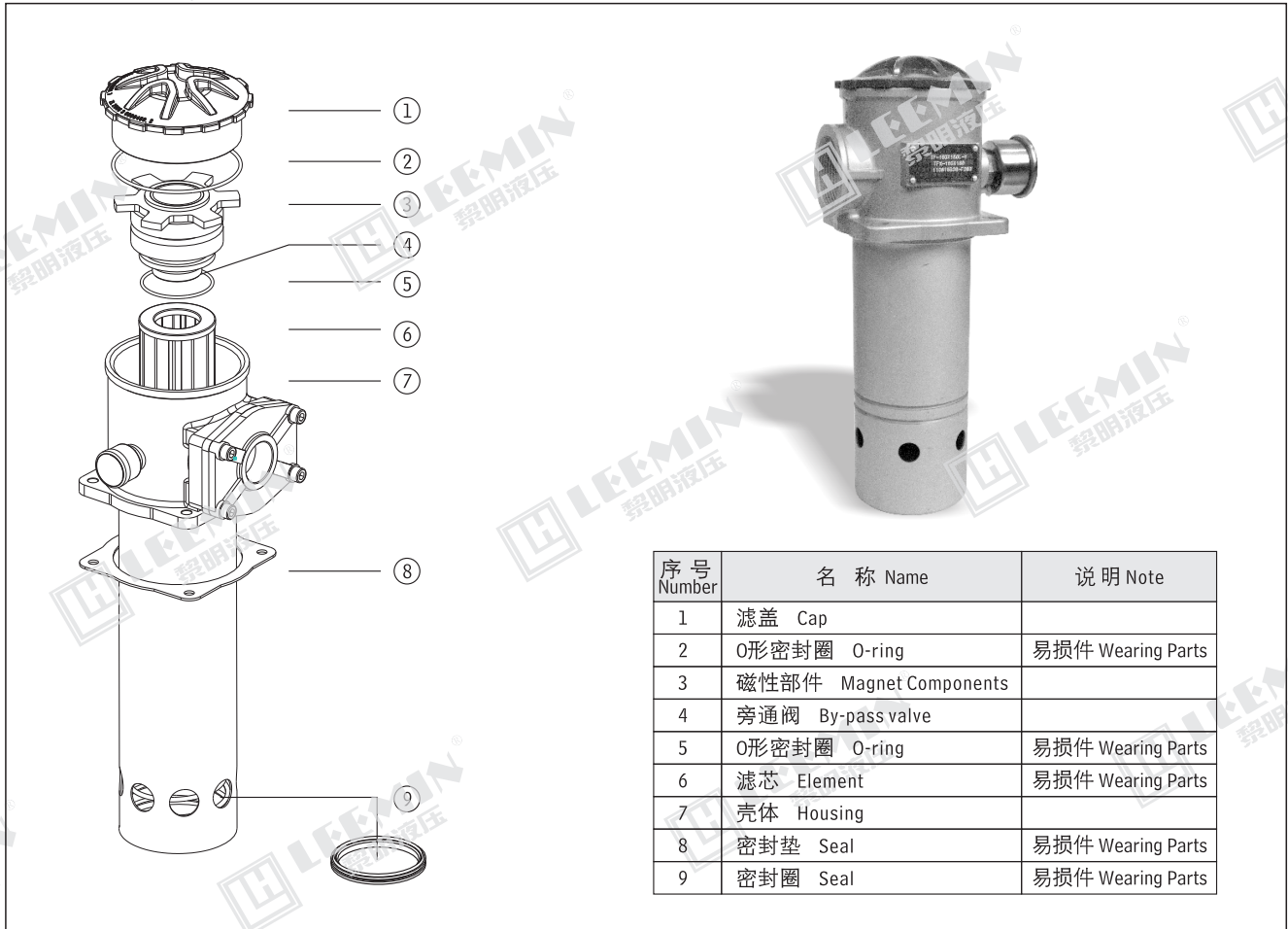
a. LXZS-160



b. LXZS-400



注：可为用户要求的流量设计与制造 Note: we can design and manufacture the special filter as customer requirement



| 序号 Number | 名称 Name | 说明 Note |
|--------------|------------------------|-------------------|
| 1 | 滤盖 Cap | |
| 2 | O形密封圈 O-ring | 易损件 Wearing Parts |
| 3 | 磁性部件 Magnet Components | |
| 4 | 旁通阀 By-pass valve | |
| 5 | O形密封圈 O-ring | 易损件 Wearing Parts |
| 6 | 滤芯 Element | 易损件 Wearing Parts |
| 7 | 壳体 Housing | |
| 8 | 密封垫 Seal | 易损件 Wearing Parts |
| 9 | 密封圈 Seal | 易损件 Wearing Parts |



(三) CJS-4 型磁性管路过滤器(用于挖掘机)

CJS-4 MAGNETIC LINE FILTER

1、技术参数: TECHNICAL DATA

- a.最大工作压力: Pressure Max: 10 MPa
- b.最大流量: Flow rate Max: 30 L/min
- c.过滤精度: Filtration accuracy: 10, 20, 30 μ m
- d.旁通阀开启压力: By-pass valve setting: 0.6MPa
- e.滤芯型号: Model of element: LH0030D*BN3HC

2、型号说明 MODEL CODE

CJS-4-30X□P

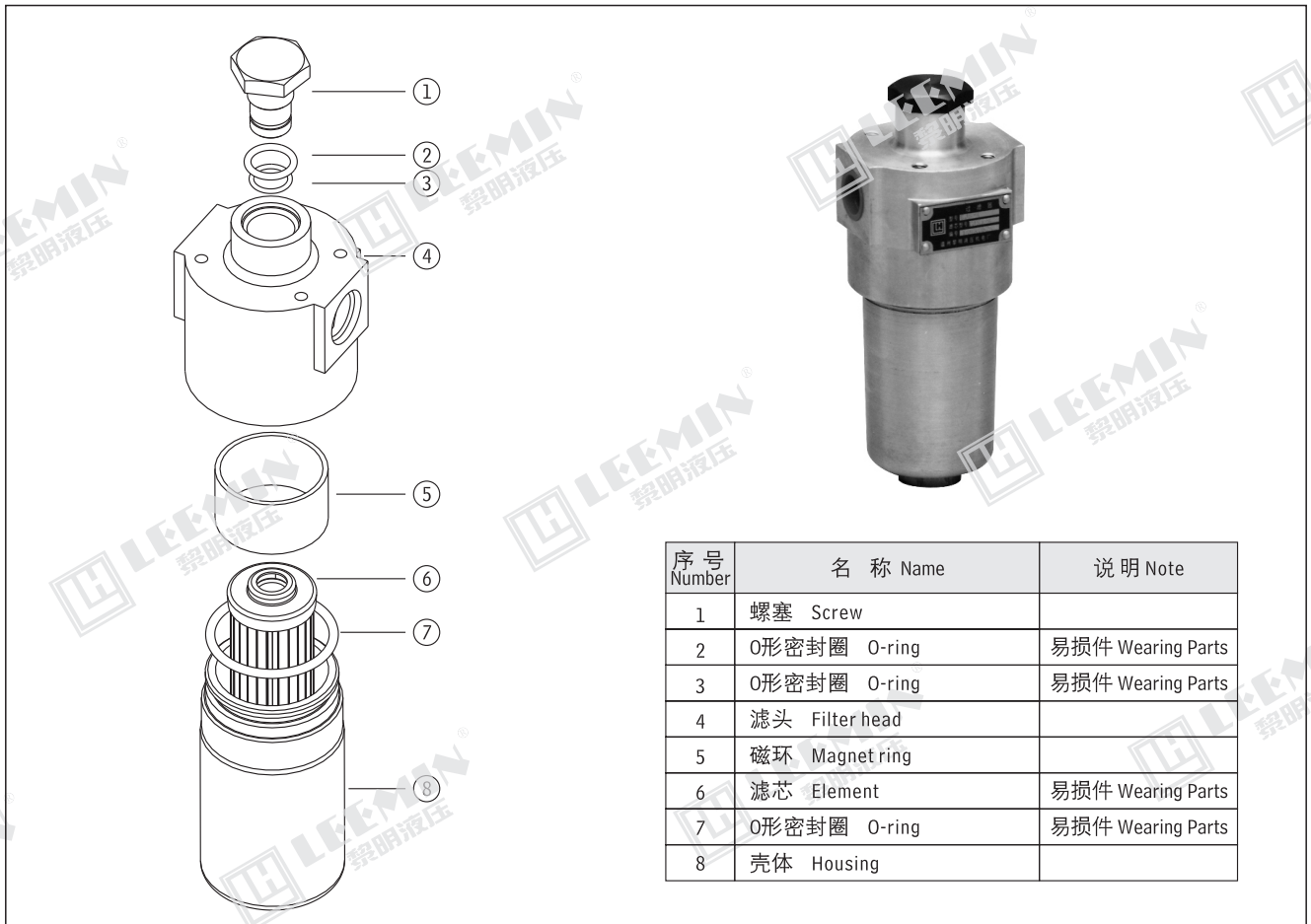
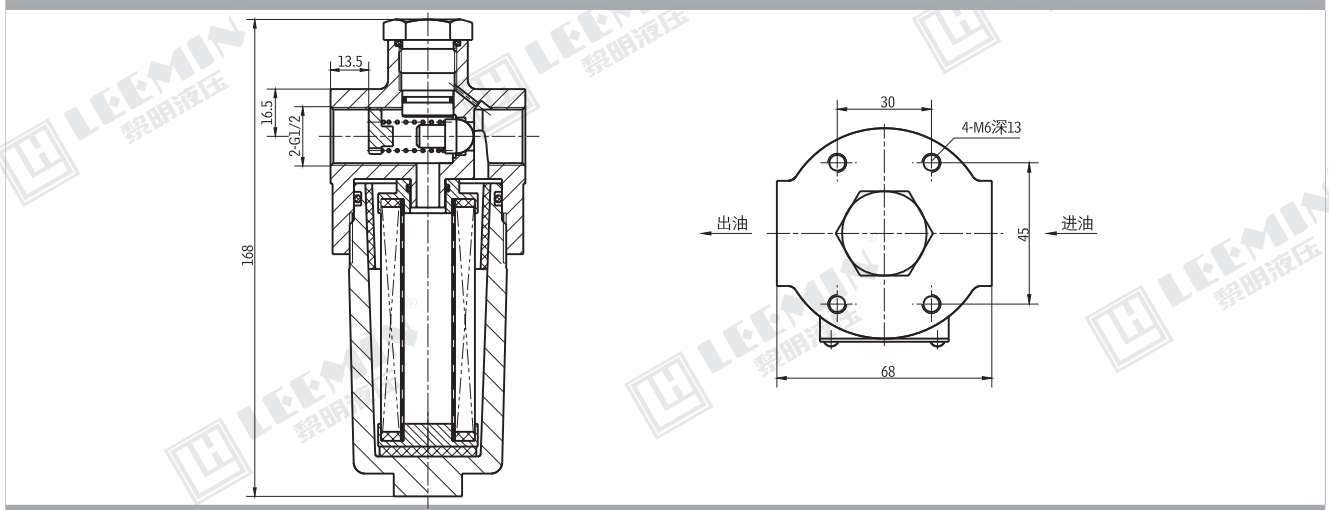
省略:不带发讯器 Omit if without indicator

P:带CS-III(G1/2)型发讯器 with CS-III(G1/2)indicator

过滤精度 Filtration accuracy(μ m)

最大流量 Flow rate Max. (L/min)

磁性管路过滤器 Magnetic line filter



| 序号 Number | 名称 Name | 说明 Note |
|--------------|----------------|-------------------|
| 1 | 螺塞 Screw | |
| 2 | O形密封圈 O-ring | 易损件 Wearing Parts |
| 3 | O形密封圈 O-ring | 易损件 Wearing Parts |
| 4 | 滤头 Filter head | |
| 5 | 磁环 Magnet ring | |
| 6 | 滤芯 Element | 易损件 Wearing Parts |
| 7 | O形密封圈 O-ring | 易损件 Wearing Parts |
| 8 | 壳体 Housing | |